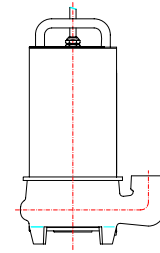


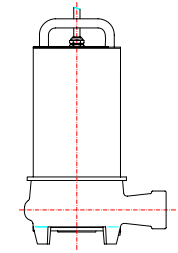
Curve per liquidi aventi densità 1-viscosità 1 mm²/s - alla temperatura di 20°C.
Curves established for liquid density 1- viscosity 1 mm²/s- temperature 20° C.
Curbes établies pour liquides densité 1- viscosité 1 mm²/s - température 20° C.

Senza Galleggiante
Without Float
Sans Flotteur
PTS 0.75 - 40 M
PTS 1.1 - 40 M
PTS 0.75 - 40 T
PTS 1.1 - 40 T

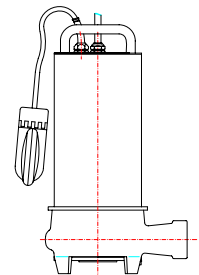
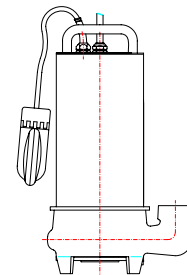
VERTICALE
VERTICAL
VERTICALE



ORIZZONTALE
HORIZONTAL
HORIZONTALE



Con Galleggiante
With Float
Avec Flotteur
PTS 0.75 - 40 MG
PTS 1.1 - 40 MG
PTS 0.75 - 40 TG
PTS 1.1 - 40 TG



ELETTOPOMPA TIPO ELECTRIC PUMP TYPE ELECTROPOMPE TYPE		POTENZA MOTORE MOTOR RATING PUISSANCE MOTEUR		PORTATA - CAPACITY - DEBIT [l/min]											
				0	60	120	180	210	240	270	300	330	360	420	
				PORTATA - CAPACITY - DEBIT [m³/h]											
				0	3.6	7.2	10.8	12.6	14.4	16.2	18	19.8	21.6	25.2	
				PORTATA - CAPACITY - DEBIT [l/sec]											
				0	1	2	3	3.5	4	4.5	5	5.5	6	7	
		[kw]		PREVALENZA - HEAD - HAUTEUR [m]											
				DN											
PTS 0.75 - 40 M / T	0.75	40	13.5	13.3	12.8	11.8	11	10.1	9.2	8	6.6	4.9			
PTS 1.1 - 40 M / T	1.1	40	17.5	17.4	16.9	15.9	15.2	14.3	13.3	12.2	10.9	9.4	5.9		

CARATTERISTICHE MOTORI MONOFASE E TRIFASI - 50Hz- ALIMENTAZIONE ± 10%

50 Hz - MOTOR FEATURES - VOLTAGE RATING 400 V ± 10%

CARACTERISTIQUES DES MOTEURS - 50 Hz- ALIMENTATION 400 V ± 10%

ELETTOPOMPA TIPO ELECTRIC PUMP TYPE ELECTROPOMPE TYPE	POTENZA MOTORE MOTOR RATING PUISSANCE MOTEUR	AVVOLGIMENTI WINDINGS BOBINAGES	ASSORBIMENTO ABSORPTION INTENSITE	Giri/min RPM T/min	CAVO ALIMENTAZIONE n°cavi n°cables	FEEDING CABLE n°conduttori cavo x sezione n° of wires x size n° conducteurs cable x section	CABLO D'ALIMENTAZIONE lunghezza cavo cable length longueur cable	AVVIAMENTO diretto direct direct
CARATTERISTICHE CON MOTORI MONOFASE SINGLE PHASE MONOPHASE								
PTS 0.75 - 40 M	0.75	230	5.0	2750	1	3 x 1.5	10	↘
PTS 0.75 - 40 MG	0.75							
PTS 1.1 - 40 M	1.1		7.3	2690				
PTS 1.1 - 40 MG	1.1							
CARATTERISTICHE CON MOTORI TRIFASI THREE PHASE TRIPHASE								
PTS 0.75 - 40 T	0.75	400	1.9	2800	1	4 x 1.5	10	↘
PTS 0.75 - 40 TG	0.75							
PTS 1.1 - 40 T	1.1		2.5	2790				
PTS 1.1 - 40 TG	1.1							

CARATTERISTICHE STANDARD

Motori elettrici asincroni trifasi e monofase con rotore a gabbia di scoiattolo.
Grado di protezione" IP 68".
Isolamento classe "F".
Max profondità immersione 20 m.
Max contenuto sostanze solide in sospensione 12%.
Cavo sommersibile in neoprene H07-RN-F.
pH liquido 5÷12
Max temperatura del liquido pompato 40° C.
Servizio continuo.

STANDARD FEATURES

Asynchronous threephase and singlephase electric motors with squirrel cage rotor.
" IP 68" Protection.
"F" class insulation.
Max submergence depth: 20 m.
Max solid content in the liquid: 12%.
Submersible H07-RN-F neoprene cable.
Fluid pH 5 - 12.
Max temperature of pumped fluid: 40°C.
Continuos service.

CARACTERISTIQUES STANDARD

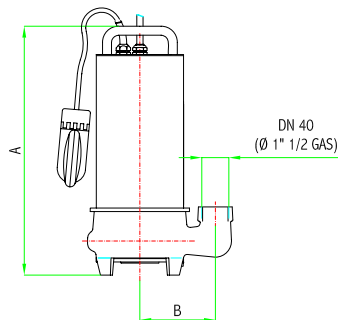
Moteurs électriques asynchrones triphasé et monophasé, rotor a cage d'ecureuil.
Degré de protection "IP 68".
Isolement classe "F".
Max profondeur d'immersion 20 m.
Max contenu de substance solides en suspension 12%.
Max pH du liquid à relever 5 - 12.
Cable submersible en neoprene H07-RN-F.
Max temperature du liquide pompe 40° C.
Service continu.

Senza Galleggiante
Without Float
Sans Flotteur

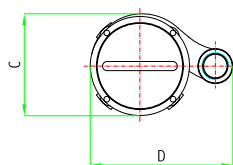
PTS 0.75 - 40 M
PTS 1.1 - 40 M
PTS 0.75 - 40 T
PTS 1.1 - 40 T

Con Galleggiante
With Float
Avec Flotteur

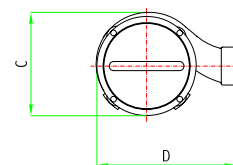
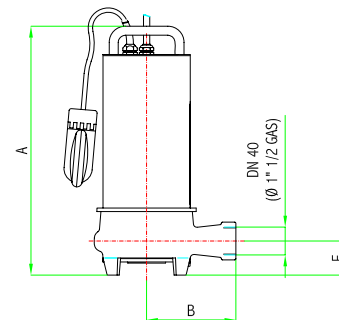
PTS 0.75 - 40 MG
PTS 1.1 - 40 MG
PTS 0.75 - 40 TG
PTS 1.1 - 40 TG



VERTICALE
VERTICAL
VERTICALE



ORIZZONTALE
HORIZONTAL
HORIZONTALE

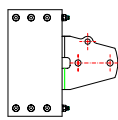


DIMENSIONI INGOMBRO [mm] - OVERALL DIMENSIONS [mm] - DIMENSIONS [mm]											Peso Weight Poids
ELETTROPOMPA TIPO ELECTRIC PUMP TYPE ELECTROPOMPE TYPE	DN	VERTICALE VERTICAL VERTICALE				ORIZZONTALE HORIZONTAL HORIZONTALE					
		A	B	C	D	A	B	C	D	E	[kg]
PTS 0.75 - 40 M	40	440	133	177	257	440	153	177	240	60	20.5
PTS 0.75 - 40 MG											21
PTS 1.1 - 40 M											20.5
PTS 1.1 - 40 MG											21
PTS 0.75 - 40 T											20
PTS 0.75 - 40 TG											20.5
PTS 1.1 - 40 T											20
PTS 1.1 - 40 TG											20.5

ACCESSORI ACCESSORIES ACCESSOIRES

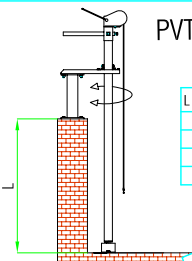
Attacco palo
Motor bracket
Console du moteur

SFV



Paranco con verricello e tubo guida
Hoist winch and rail pipe
Treuil poulie et barre de guidage

PVT



L [m]	PVT 60 /
2	PVT 60 / 2
3	PVT 60 / 3
4	PVT 60 / 4
5	PVT 60 / 5

SFV 60

PVT 60 /..

PTS 0.75 - 40 M
PTS 0.75 - 40 MG
PTS 1.1 - 40 M
PTS 1.1 - 40 MG
PTS 0.75 - 40 T
PTS 0.75 - 40 TG
PTS 1.1 - 40 T
PTS 1.1 - 40 TG

INSTALLAZIONI POSSIBILI
POSSIBLE INSTALLATIONS
VERSIONS POSSIBLES

